

## MECHANICAL SPECIFICATIONS

### FIXTURE

#### Dimensions:

mm: 540 x 300 x 601  
 in: 21.3 x 11.8 x 23.7

**Weight:** 20.9 kg (46 lbs)

**Mounting Information:** The StudioPix™ fixture can be truss mounted using suitable clamps with locking washers through the center holes on the fixture's base. Cheeseborough truss clamps and ½ inch nub/ bolt sets may be purchased separately. It can also stand upright on a stable surface.

**Colors Available:** Black

## ELECTRICAL/LIGHT SOURCE

**Input Ratings:** 100-230 V AC; 50-60 Hz; 8-3.5A (800W)

**LED Array:** 61 3W RGB LEDs with homogenizing system

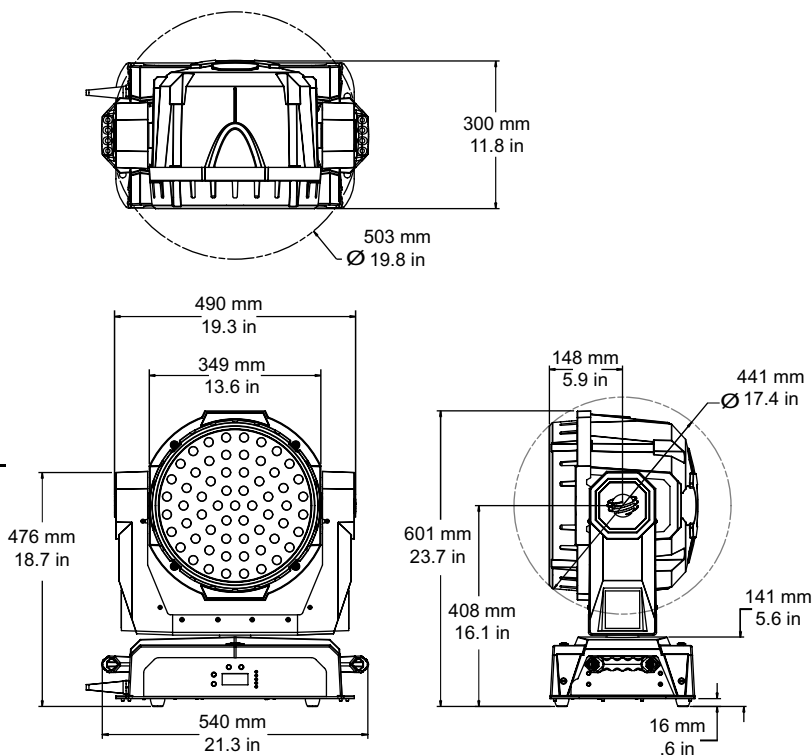
**Output:** 11,500 RGB lumens\*

**Beam Angle:** 45°

**Field Angle :** 80°

**Color Mixing:** RGB

\* RGB Lumens are calculated by comparing the combined energy levels of StudioPix WRGBCMY to a theatrical metal halide color changing fixture and creating a factor.



## OPERATION

**Pan:** 540°

**Tilt:** 210°

**Control:** DMX512/RDM

**Minimum Distance from lighted object:** 1 meter (3.9 ft)

**Compliances:** CE, CSA, ETL

**Content Management:** Content and Software uploading to the fixture using Echo software via a USB upload module or a Wholehog single USB DMX widget.

**DMX Connectors:** 5-pin male and female XLR connectors

**Environmental Tolerances:** Maximum Ambient Operating Temperature 50°C (122° F) Ta  
 Maximum Exterior Surface Temperature 70°C (158° F)

**Software Upgrades:** Download operating software and Echo software from the High End Systems web site ([www.highend.com](http://www.highend.com))

## Part Numbers

A8010001: StudioPix fixture, black

A8070001: StudioPix roadcase

74040002: Wholehog single USB DMX widget

74040006: USB upload module

## DMX Channels

Four protocol choices are offered for StudioPix™ fixtures to provide the precise level of DMX control needed for any application.

### Standard Protocol (70 channels)

Standard protocol provides motion control plus full graphics engine control of images, colors, and effects.

### RGB Reduced Protocol (12 channels)

This protocol controls motion and color mixing only.

Motion Control		Global Control		Image Control		
Chan #	Description	Chan #	Description	Image 1 Chan #	Image 2 Chan #	Description
1	Pan	8	Strobe	25	48	Media Folder
2		9	Dim	26	49	Media file
3	Tilt	10	Color Function	27	50	Frame
4		11	Red	28	51	Play mode
5	Mspeed	12		Green	29	52
6	Macro	13	Blue		30	53
7	Control Function	14		Scale	31	54
		15	X Position		32	55
		16		Y Position	33	56
		17	Color Function		34	57
		18	Rotate	35	58	Red
		19	Dampening	36	59	
		20	Global Transition Mode	37	60	Green
		21	Global Transition	38	61	
		22	Effect Function	39	62	Blue
		23	Effect Modifier 1	40	63	
		24	Effect Modifier 2	41	64	Transparent Color
				40	65	Background Color
				43	66	Frame Transition Mode
				44	67	Transition Speed
				45	68	Effect Function
				46	69	Effect Modifier 1
				47	70	Effect Modifier 2

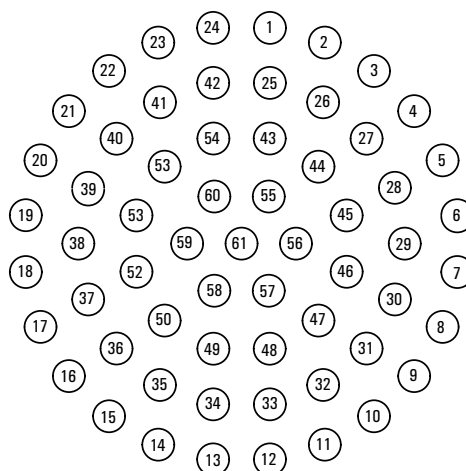
Chan #	Description
1	Pan
2	
3	Tilt
4	
5	Mspeed
6	Macro
7	Control Function
8	Strobe
9	Dim
10	Red
11	Green
12	Blue

### Pixel Mapping Protocol (192 channels)

In addition to motion, strobing and dimming, Pixel Mapping protocol provides individual RGB control of each of the 61 LEDs.

Motion Control		LED Control		
Chan #	Description	Chan #	Description	
1	Pan	10	Red	LED 1
2		11	Green	
3	Tilt	12	Blue	
4		...	Each of the 61 LEDs is assigned three channels for RGB control	
5	Mspeed	...		
6	Macro	...		
7	Control Function	190	Red	LED 61
8	Strobe	191	Green	
9	Dim	192	Blue	

### Pixel Mapping



### Extended Protocol (253 channels)

Extended Protocol combines the movement, global and image control of Standard protocol with individual RGB control of the 61 LEDs.